

CDS

# Self Priming Centrifugal Pump

**Super  
T SERIES****Model T10A71S-B****Size 10" x 10"****PUMP SPECIFICATIONS****Size:** 10" x 10" (254 mm x 254 mm) Flanged.**Casing:** Gray Iron 30.

Maximum Operating Pressure 99 psi (683 kPa).\*

**Semi-Open Type, Two Vane Impeller:** G-R Hard Iron.

Handles 3" (76,2 mm) Diameter Spherical Solids.

**Impeller Shaft:** Stainless Steel 17-4 PH.**Shaft Sleeve:** Alloy Steel 4130.**Replaceable Front Wear Plate:** Hardened Alloy Steel.**Replaceable Rear Wear Plate:** Hardened Alloy Steel.**Removable Clean-out Cover Plate:** Gray Iron 30; 9 lbs. (4 kg).**Flap Valve:** Neoprene w/Steel Reinforcing.**Bearing Housing:** Gray Iron 30.**Seal Plate:** G-R Hard Iron.**Radial and Thrust Bearings:** Open Double Row Ball.**Bearing and Seal Cavity Lubrication:** SAE 30

Non-Detergent Oil.

**Suction Flange:** Gray Iron 30.**Suction Head:** Gray Iron 30.**Gaskets:** Buna-N, PTFE, Cork, and Rubber.**O-Rings:** Buna-N.**Hardware:** Standard Plated Steel.**Brass Pressure Relief Valve.****Bearing and Seal Cavity Oil Level Sight Gauges.****Optional Equipment:** Metal Bellows Seal. Automatic Air

Release Valve. High Pump Temperature Shutdown Kit.

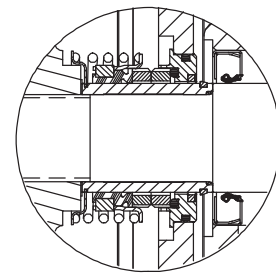
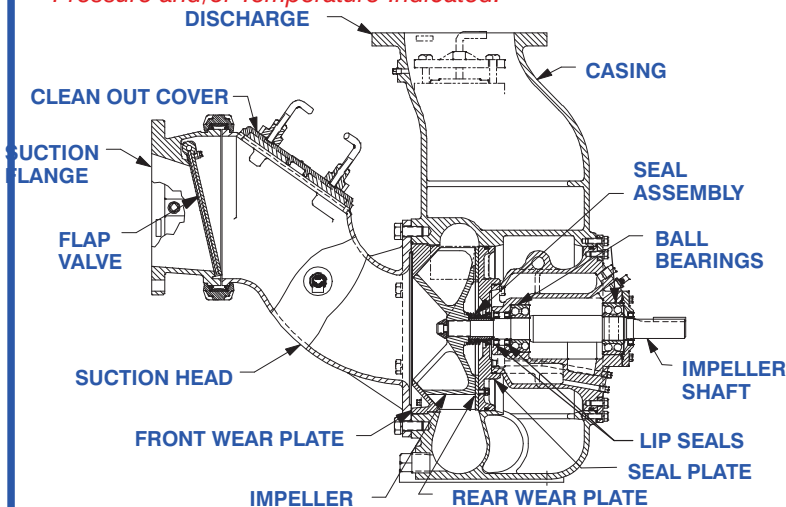
120V/240V Casing Heater. Continuous Vane GR Hard Iron

Impeller w/Self-Cleaning GR Hard Iron Wear Plate.

Gray Iron 30 Spool Flanges:

10" ASA Discharge.

250 mm DIN 2527 (PN16) Suction and Discharge

**(Specify Model T10A71S-B /FM).***\*Consult Factory for Applications Exceeding Maximum Pressure and/or Temperature Indicated.***Shown with Optional Discharge Spool Flange (Suction/Discharge Spool Flanges Available in ASA or DIN Standard Sizes).****SEAL DETAIL**

Cartridge Type, Mechanical, Oil-Lubricated, Double Floating, Self-Aligning. Silicon Carbide Rotating and Stationary Faces. Stainless Steel 316 Stationary Seat. Fluorocarbon Elastomers (DuPont Viton® or Equivalent). Stainless Steel 18-8 Cage and Spring. Maximum Temperature of Liquid Pumped, 160°F (71°C).\*

**THE GORMAN-RUPP COMPANY • MANSFIELD, OHIO**

GORMAN-RUPP OF CANADA LIMITED • ST. THOMAS, ONTARIO, CANADA

www.grpumps.com

Specifications Subject to Change Without Notice

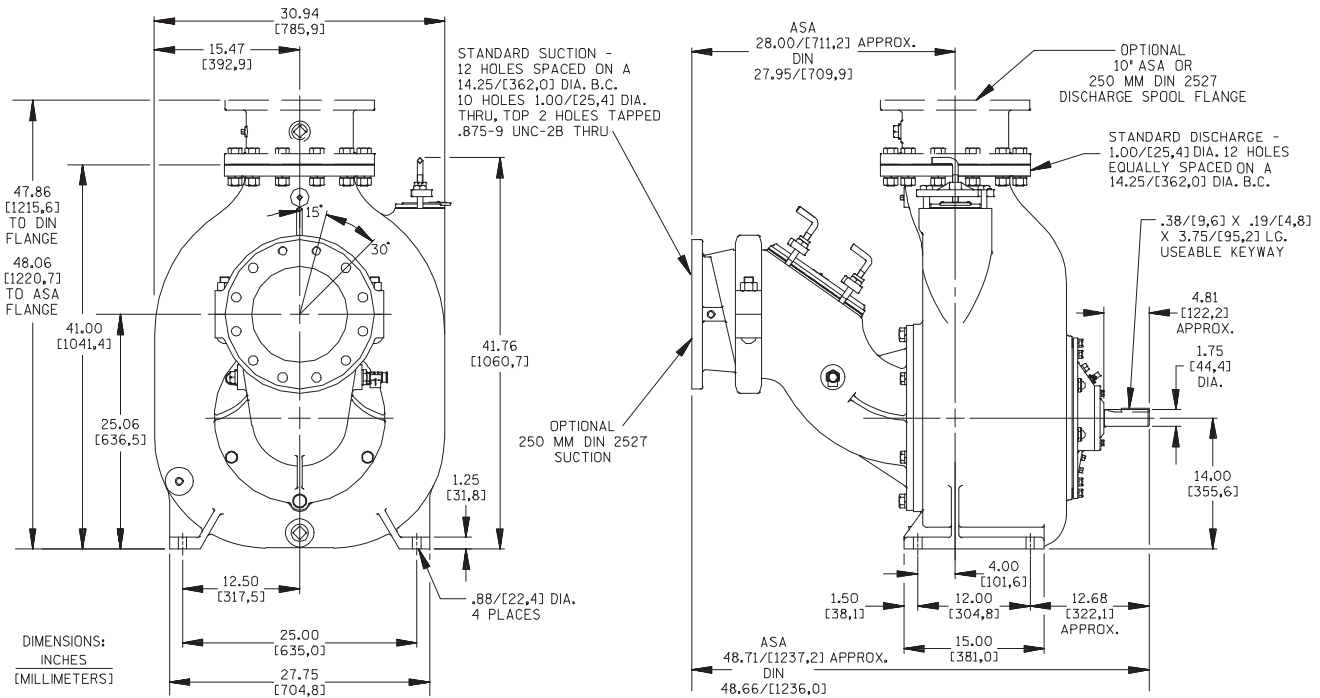
Printed in U.S.A.

Specification Data

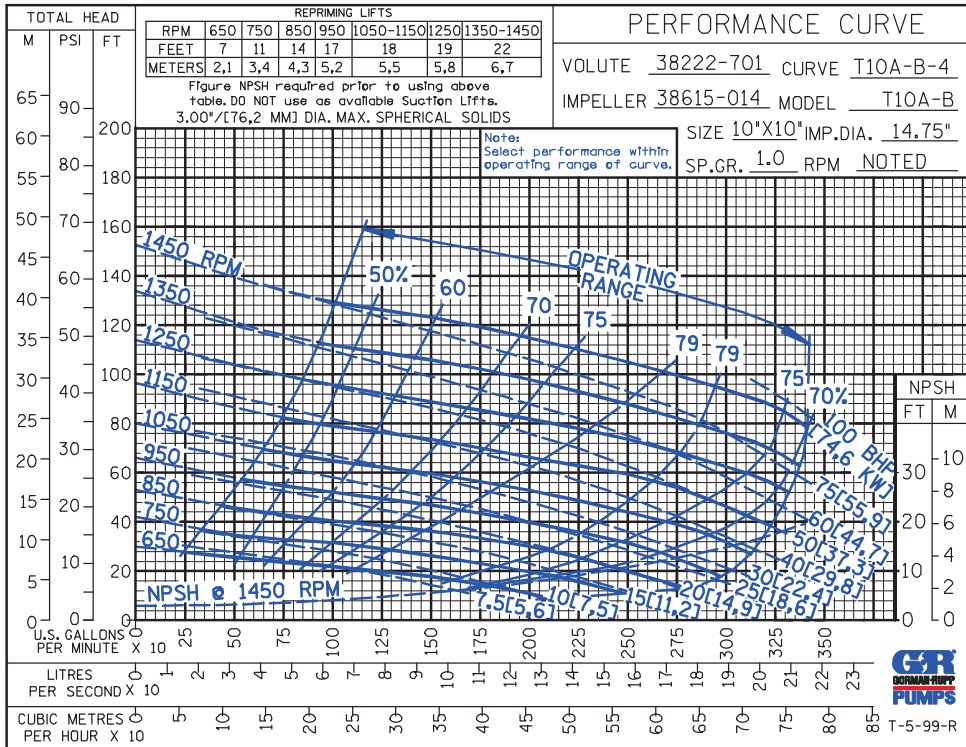
SECTION 55, PAGE 2440

APPROXIMATE DIMENSIONS and WEIGHTS

NET WEIGHT: 1460 LBS. (662 KG.)\*  
SHIPPING WEIGHT: 1610 LBS. (730 KG.)\*  
EXPORT CRATE: 70.3 CU. FT. (2 CU. M.)  
\*ADD 71 LBS. (32,2 KG.) W/DISCH SPOOL FLANGE



OPTIONAL ASA OR DIN STANDARD SPOOL FLANGES AVAILABLE



THE GORMAN-RUPP COMPANY • MANSFIELD, OHIO

GORMAN-RUPP OF CANADA LIMITED • ST. THOMAS, ONTARIO, CANADA

Specifications Subject to Change Without Notice

Printed in U.S.A.